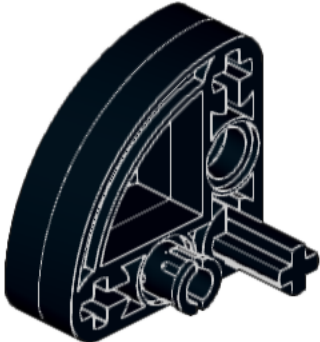
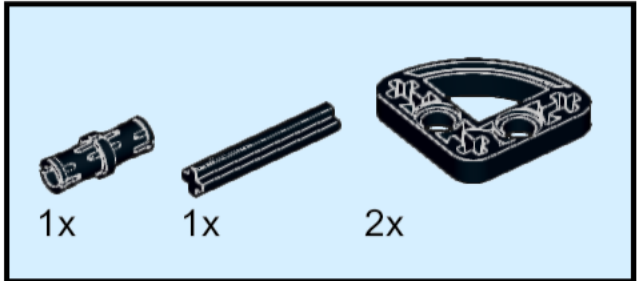
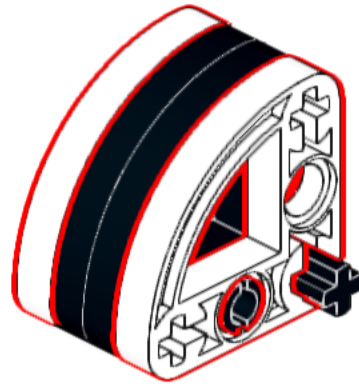
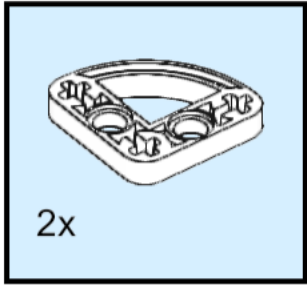


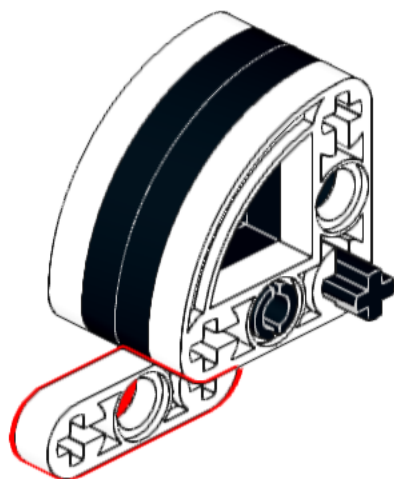
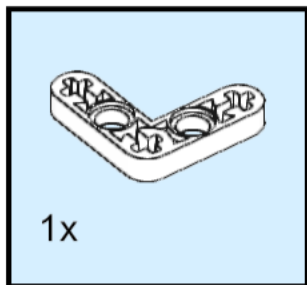
1



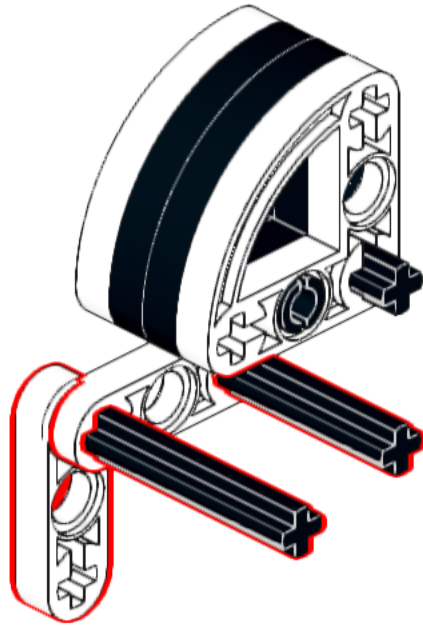
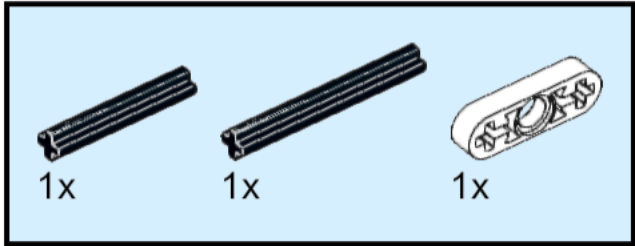
2



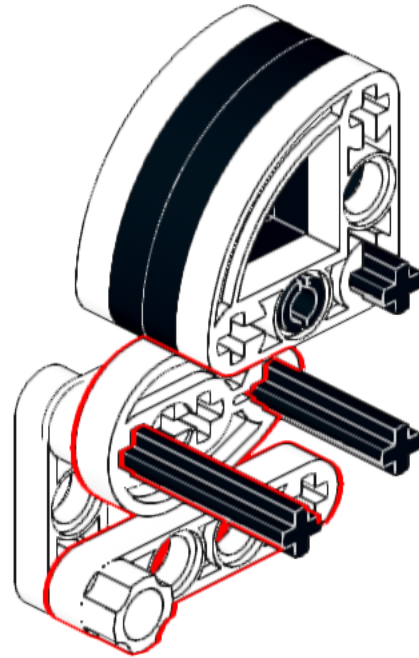
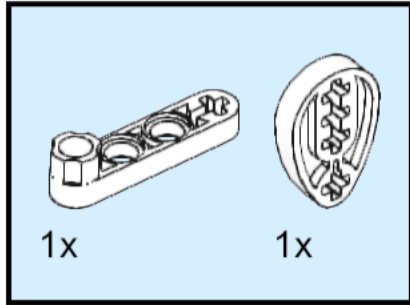
3



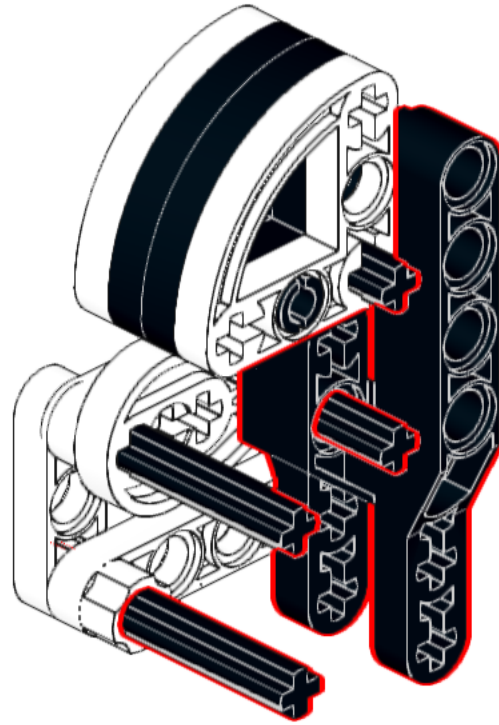
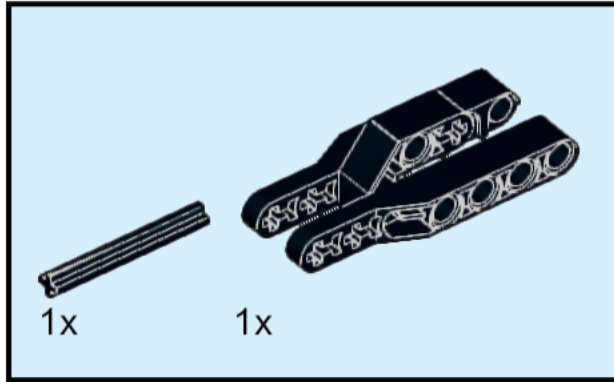
4



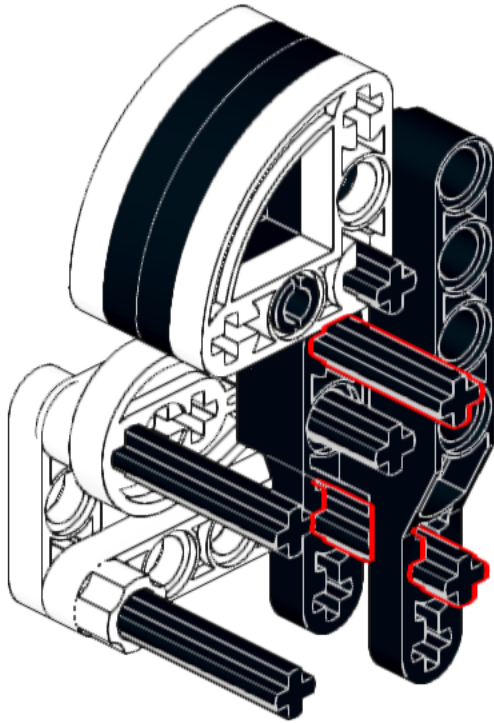
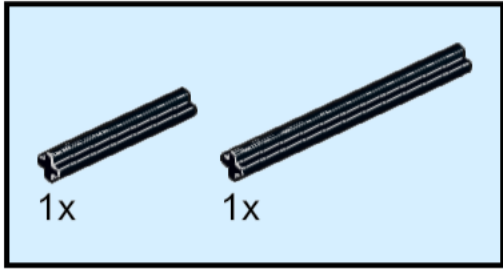
5



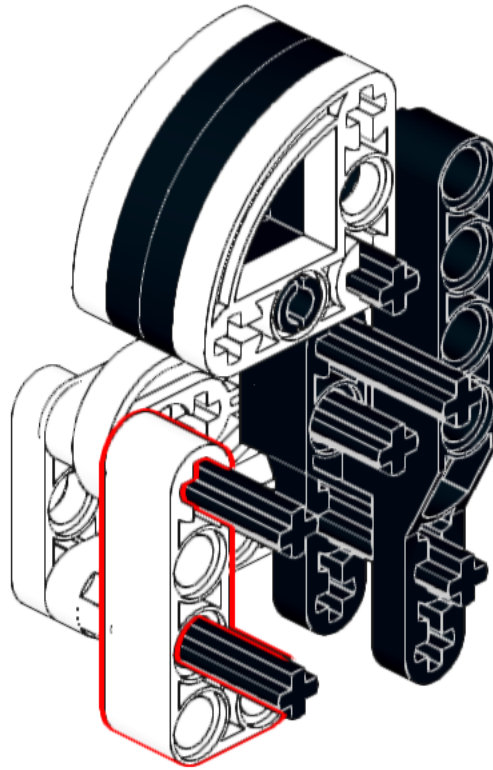
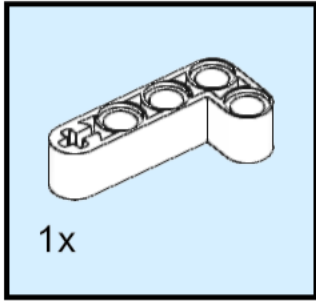
6



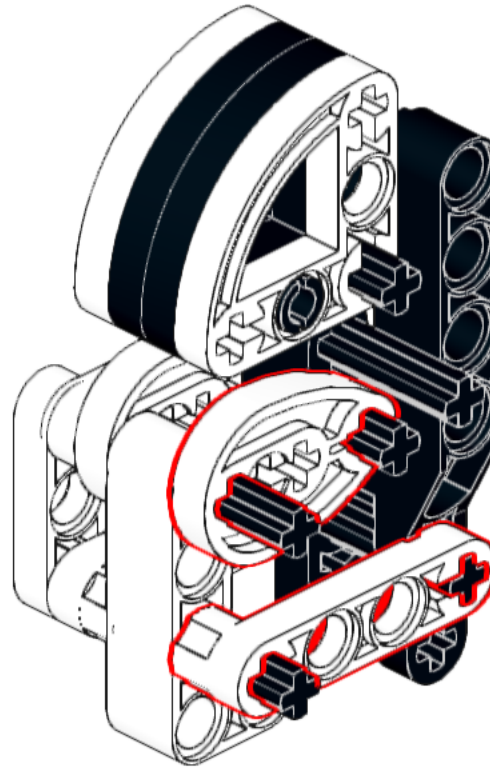
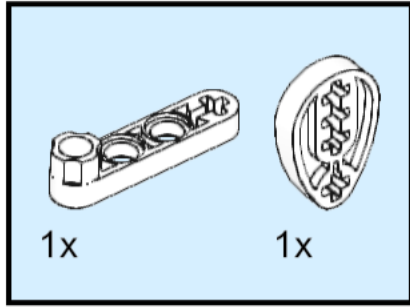
7



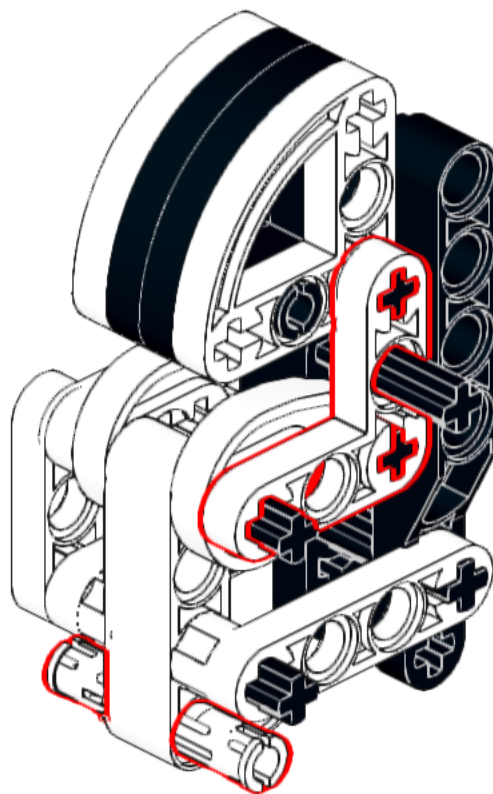
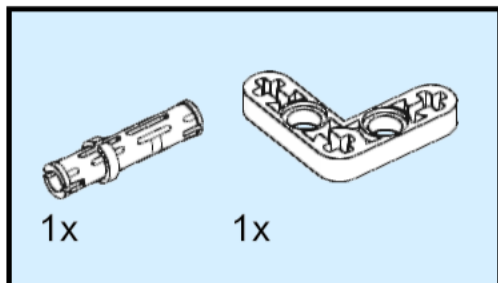
8



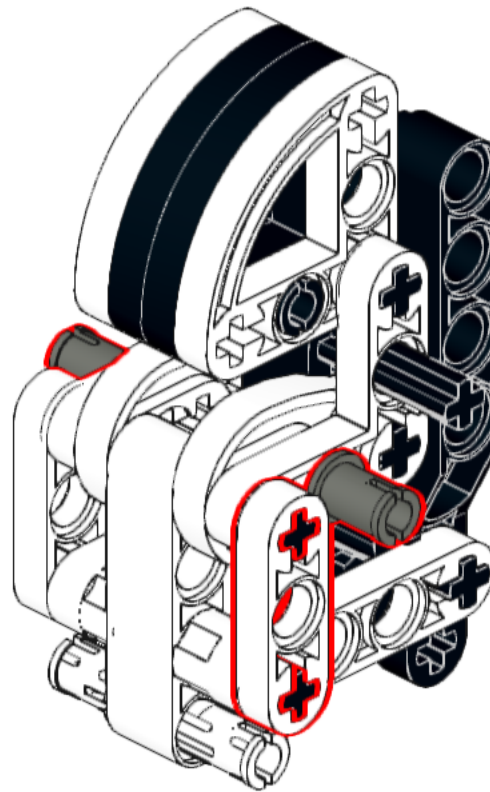
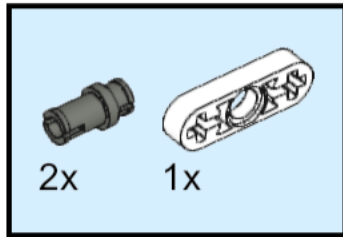
9



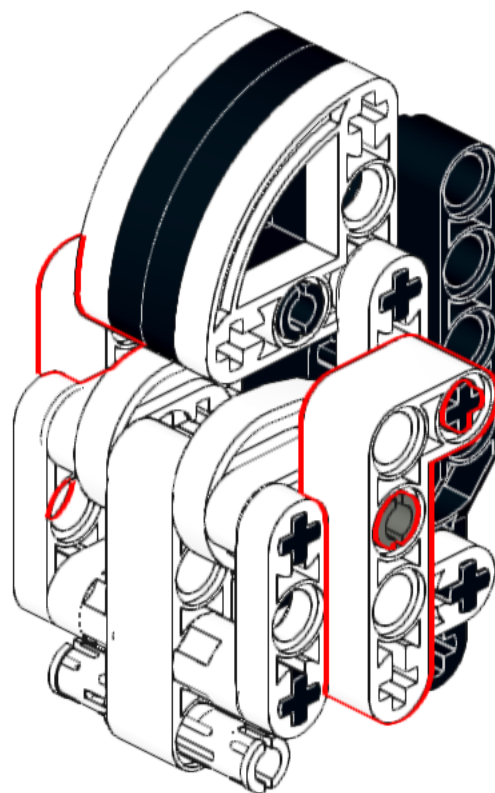
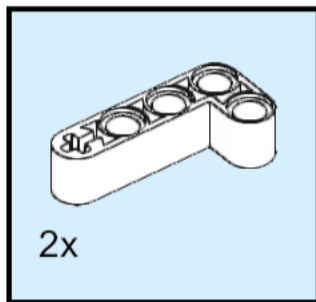
10



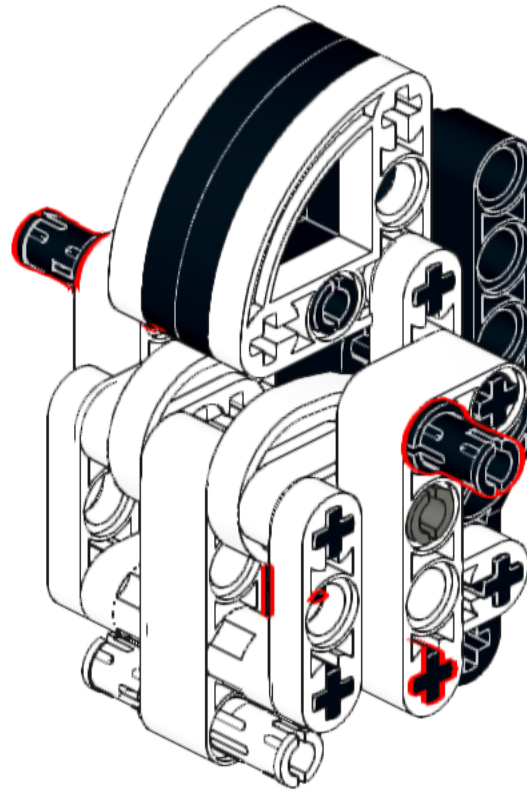
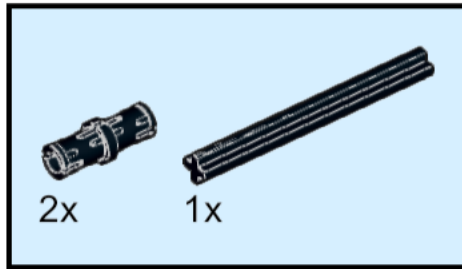
11



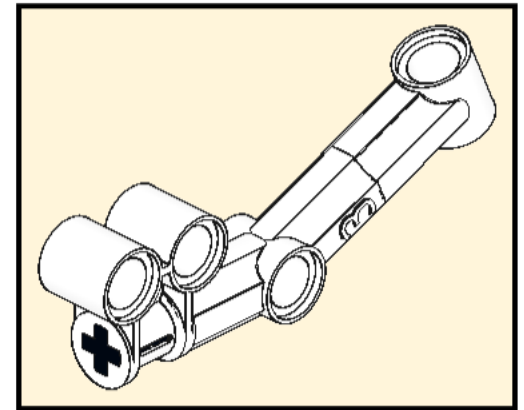
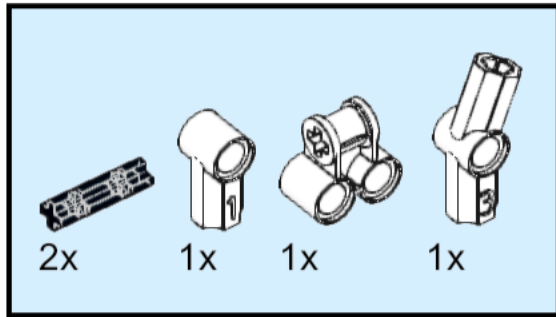
12



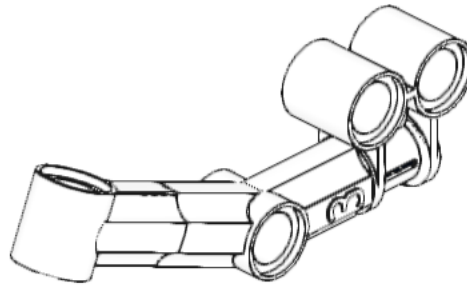
13



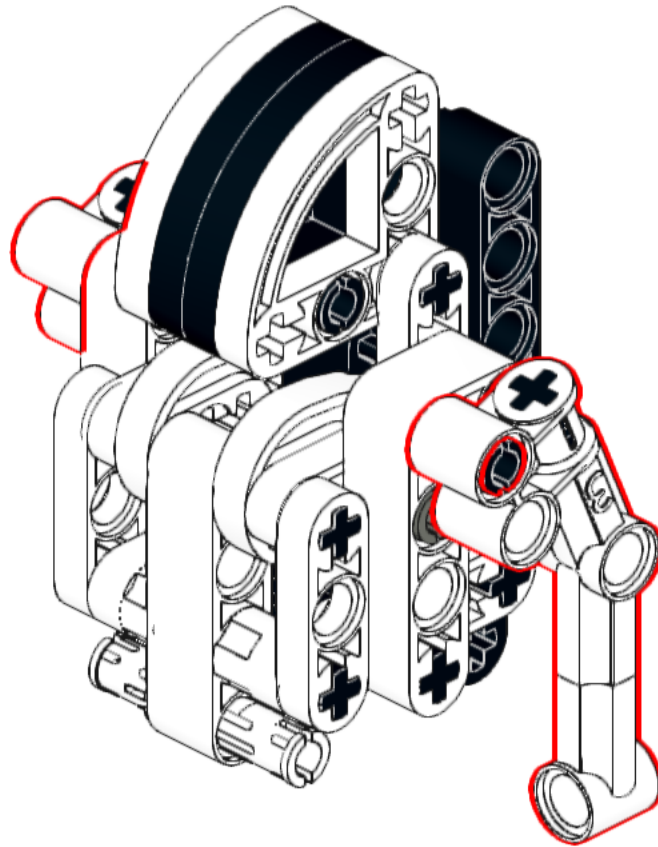
14



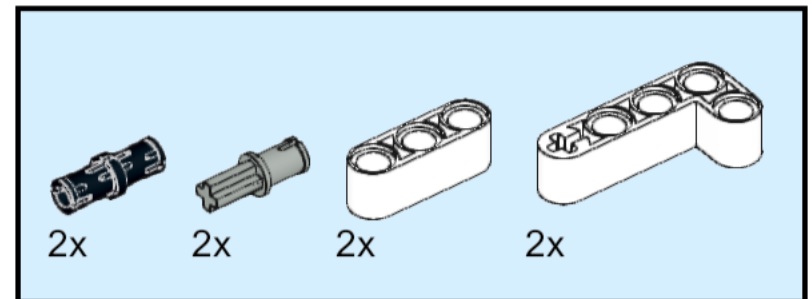
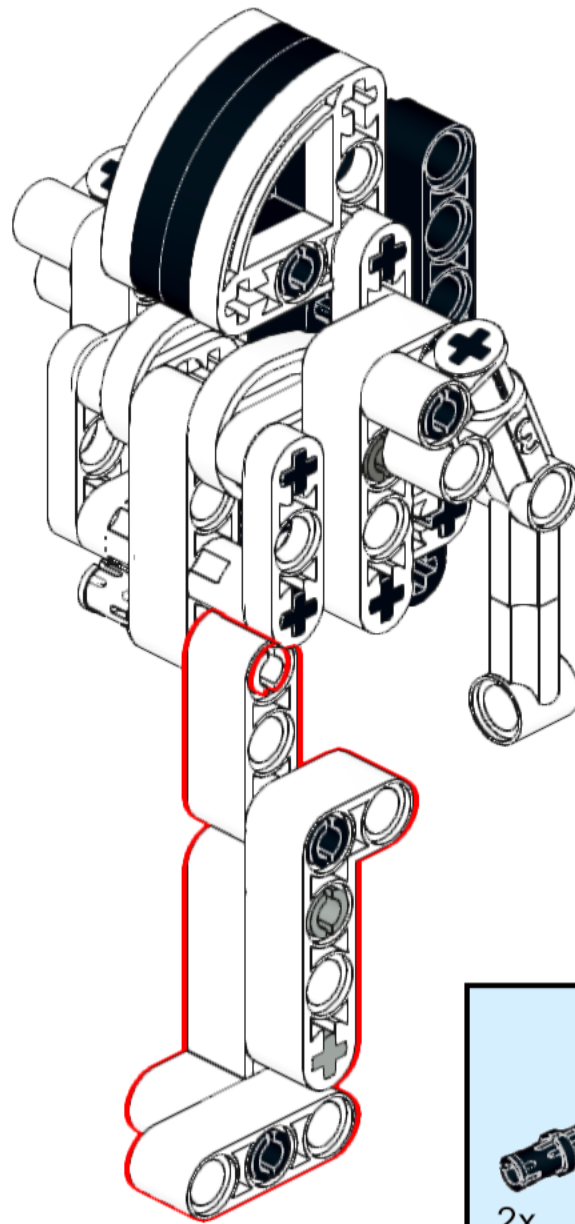
2x



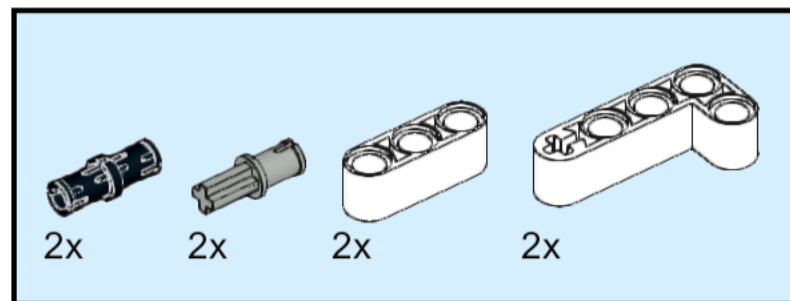
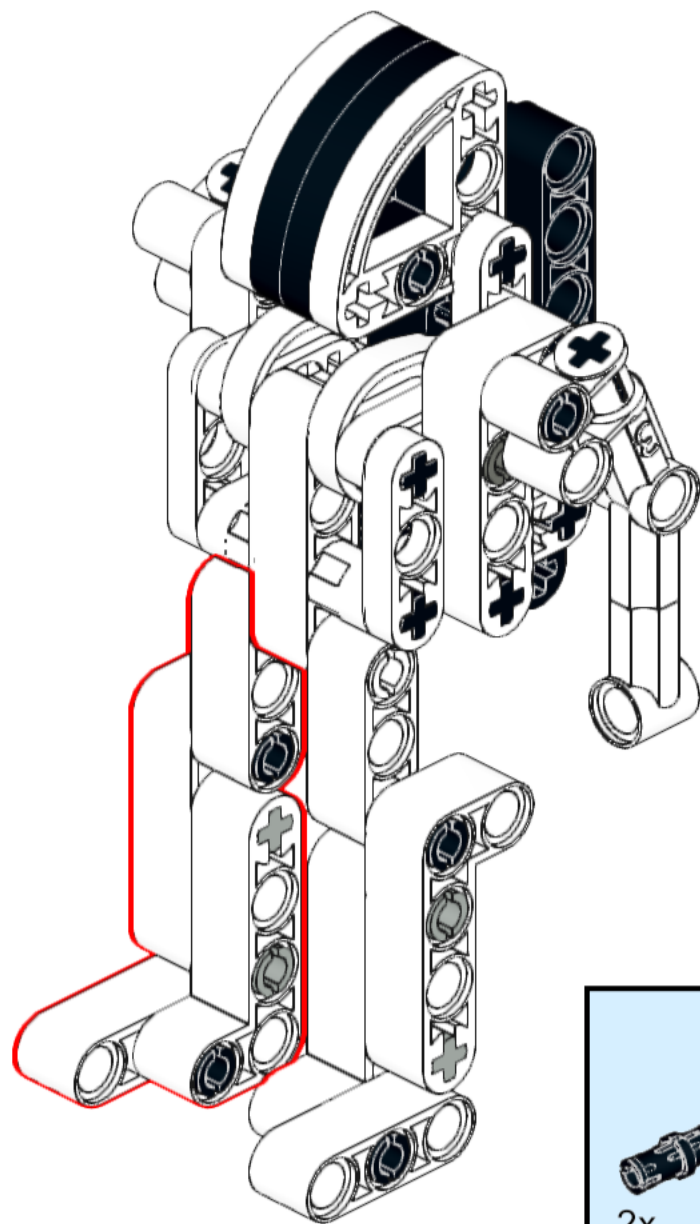
15



16



17





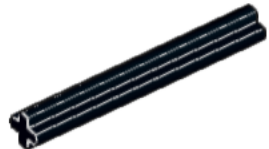
4x
32062, 11



7x
2780, 11



3x
4519, 11



2x
3705, 11



2x
32249, 11



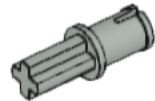
2x
32073, 11



1x
32308, 11



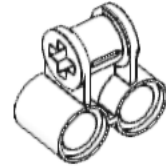
2x
32002, 85



4x
3749, 9



2x
32013, 1



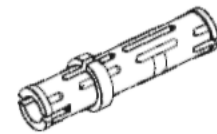
2x
32291, 1



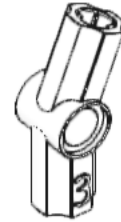
2x
6632, 1



4x
32523, 1



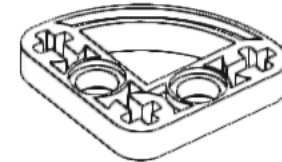
1x
6558, 1



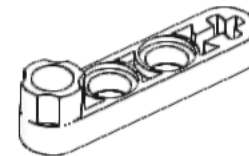
2x
32016, 1



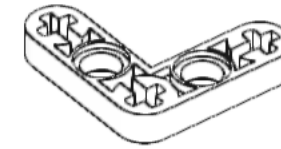
2x
6575, 1



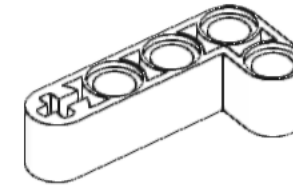
2x
32249, 1



2x
2825, 1



2x
32056, 1



7x
32140, 1